

Old Town, Newbury

Sketch Book of Details

November 2024

LOCHAILORT



Page Deliberately Blank.

Railing Details

LOCHAILORT



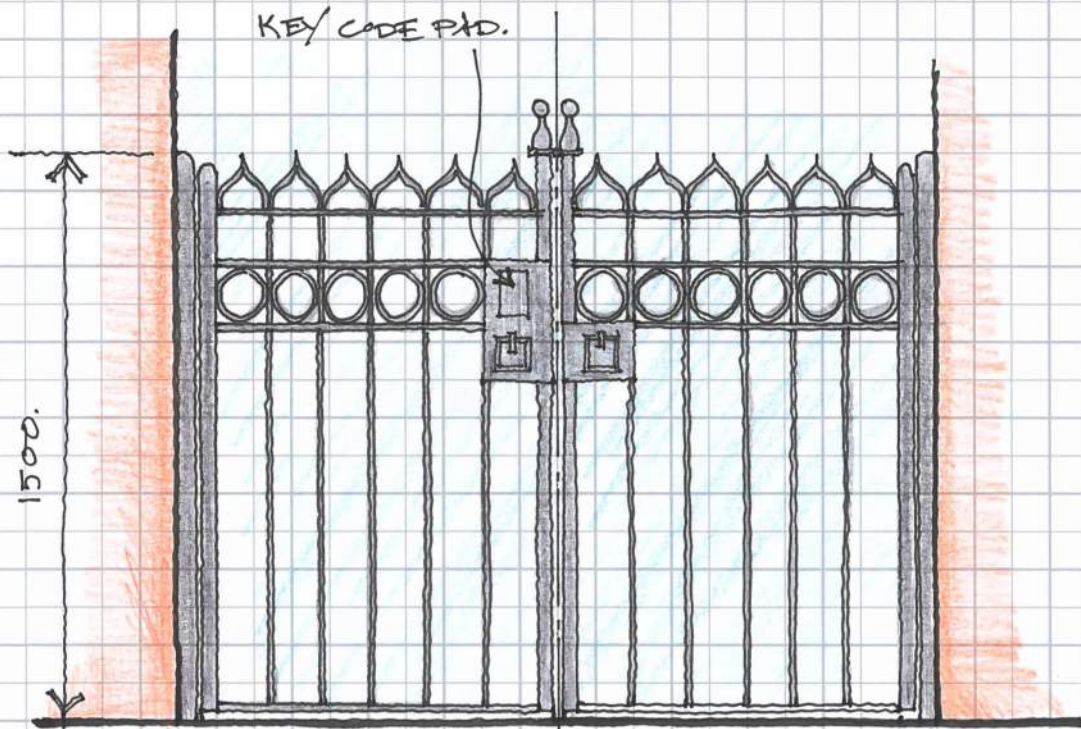
Woods Hardwick

Architecture | Engineering | Planning | Surveying



Old Town
Newbury

PROJECT	PROJECT NO.:
DESCRIPTION	DATE:
	SHEET:
	ORIGINATOR:
	CHECKED:



ELEVATION | 1:20
 CAST IRON LOCKABLE GATE.

COMMUNAL LOCKABLE GATE.

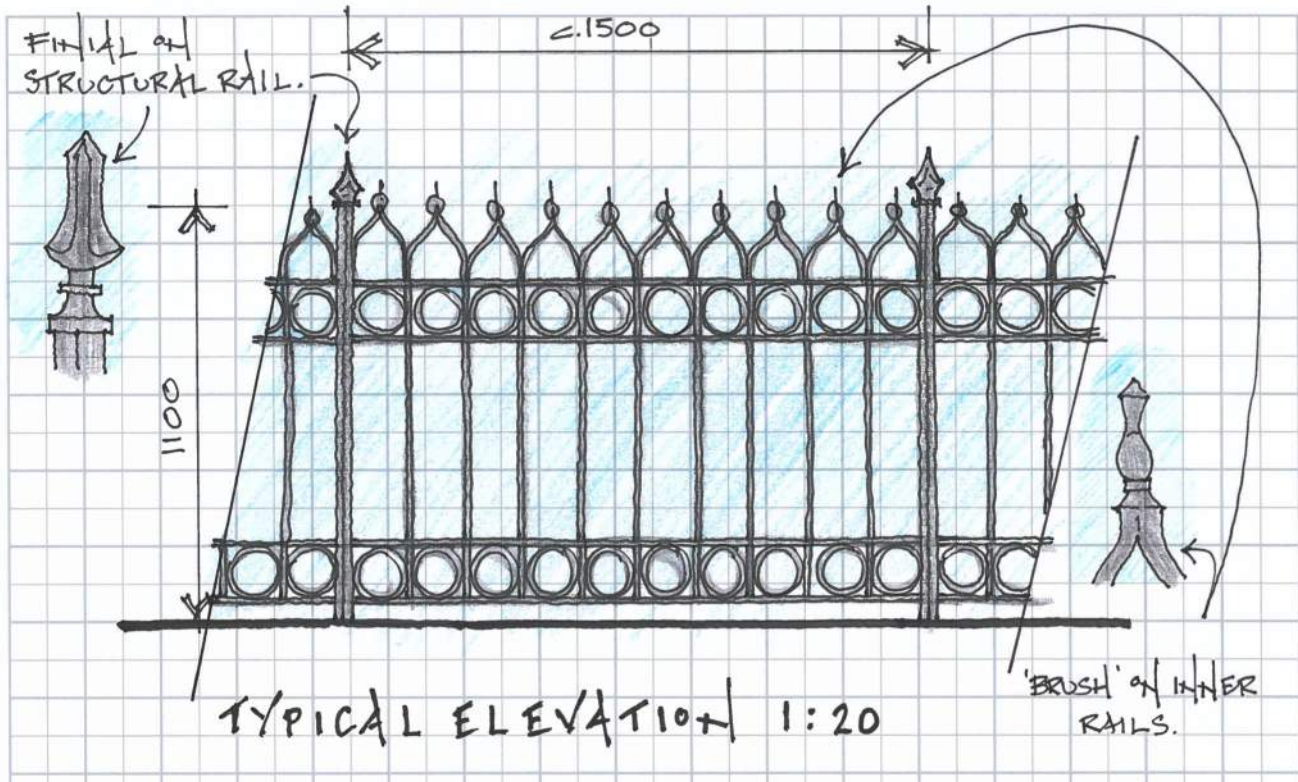
BEDFORD : HEAD OFFICE
 15-17 Goldington Road
 Bedford MK40 3NH
 T: +44 (0) 1234 268862

BIRMINGHAM
 Fort Dunlop, Fort Parkway
 Birmingham B24 9FE
 T: +44 (0) 121 6297784

ONLINE
 mail@woodshardwick.com
 woodshardwick.com

 Woods Hardwick
 Architecture | Engineering | Planning | Surveying

PROJECT	PROJECT NO.:
DESCRIPTION	DATE:
	SHEET:
	ORIGINATOR:
	CHECKED:



RAILING # R2

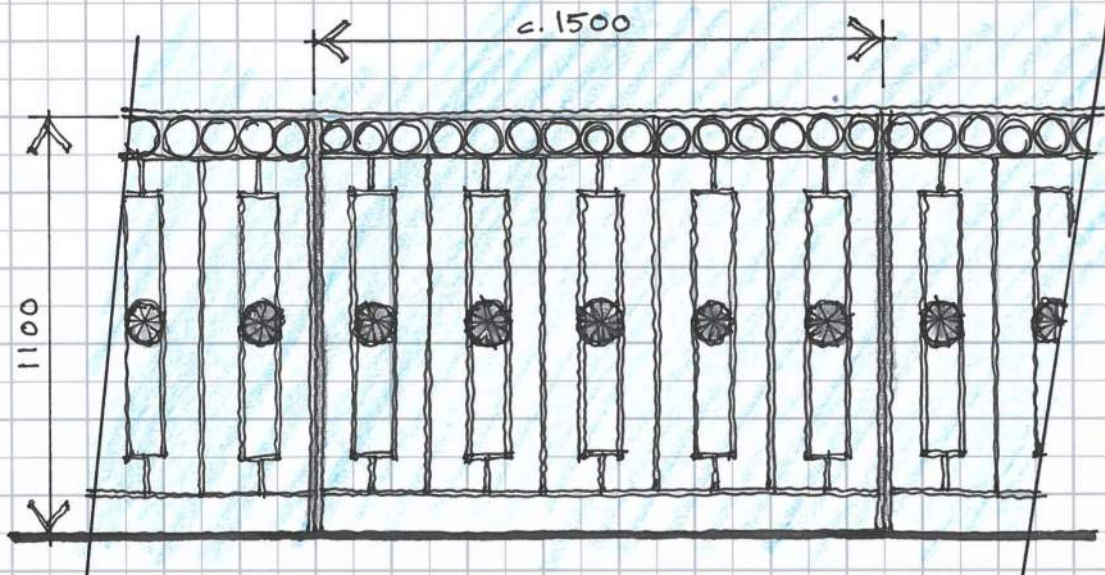
BEDFORD: HEAD OFFICE
 15-17 Goldington Road
 Bedford MK40 3NH
 T: +44 (0) 1234 268862

BIRMINGHAM
 Fort Dunlop, Fort Parkway
 Birmingham B24 9FE
 T: +44 (0) 121 6297784

ONLINE
 mail@woodshardwick.com
 woodshardwick.com

 **Woods Hardwick**
 Architecture | Engineering | Planning | Surveying

PROJECT	PROJECT NO.:
	DATE:
DESCRIPTION	SHEET:
	ORIGINATOR:
	CHECKED:



TYPICAL ELEVATION 1:20

RAILING # R1

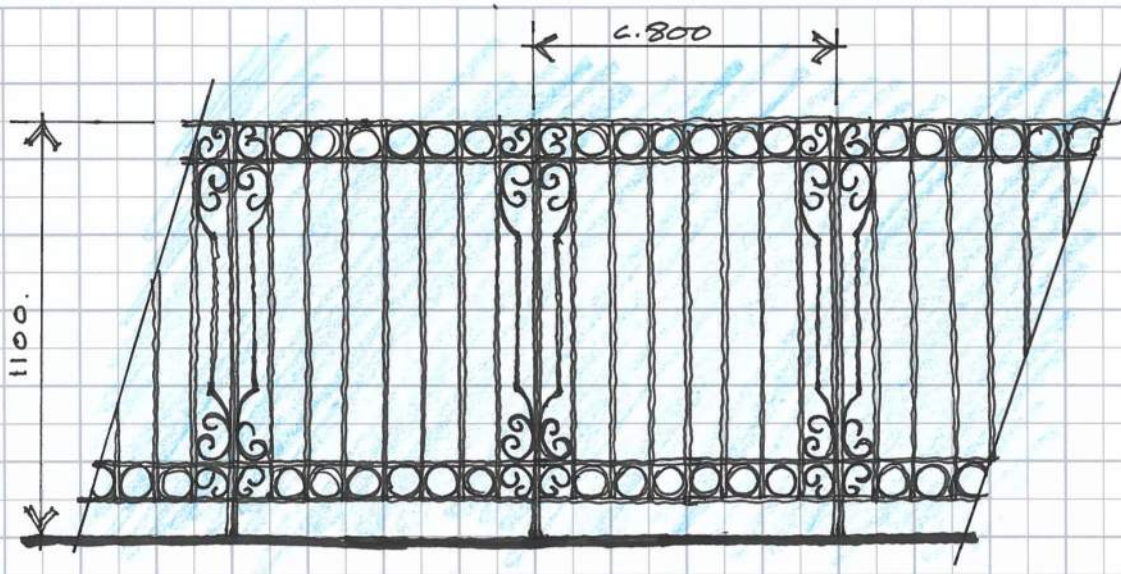
BEDFORD: HEAD OFFICE
 15-17 Goldington Road
 Bedford MK40 3NH
 T: +44 (0) 1234 268862

BIRMINGHAM
 Fort Dunlop, Fort Parkway
 Birmingham B24 9FE
 T: +44 (0) 121 6297784

ONLINE
mail@woodshardwick.com
woodshardwick.com

 **Woods Hardwick**
 Architecture | Engineering | Planning | Surveying

PROJECT	PROJECT NO.:
	DATE:
DESCRIPTION	SHEET:
	ORIGINATOR:
	CHECKED:



TYPICAL ELEVATION 1:20

RAILING # R6

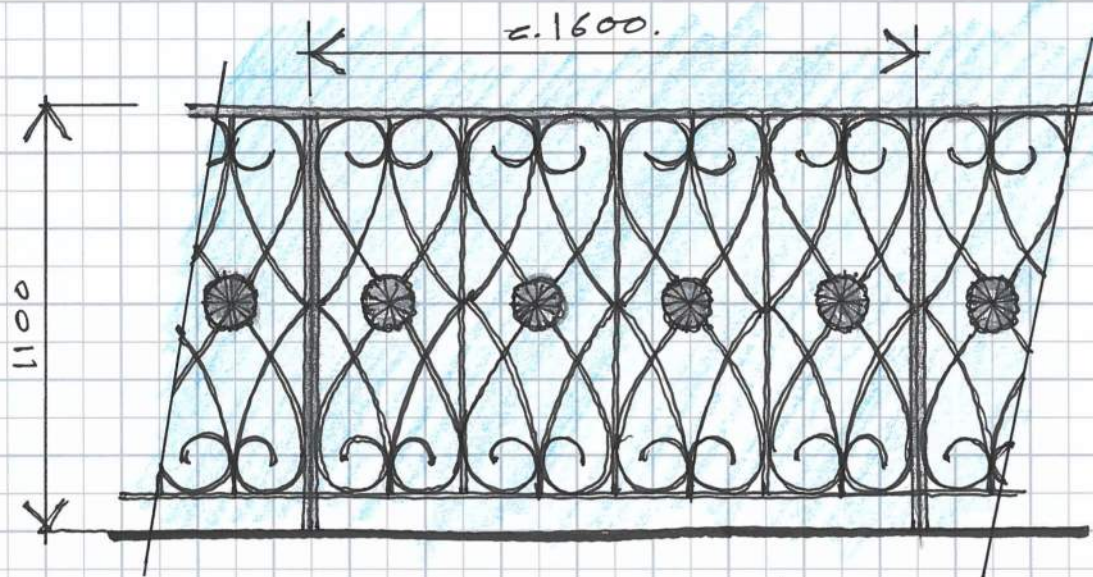
BEDFORD: HEAD OFFICE
 15-17 Goldington Road
 Bedford MK40 3NH
 T: +44 (0) 1234 268862

BIRMINGHAM
 Fort Dunlop, Fort Parkway
 Birmingham B24 9FE
 T: +44 (0) 121 6297784

ONLINE
 mail@woodshardwick.com
 woodshardwick.com

 Woods Hardwick
 Architecture | Engineering | Planning | Surveying

PROJECT	PROJECT NO.:
	DATE:
DESCRIPTION	SHEET:
	ORIGINATOR:
	CHECKED:



TYPICAL ELEVATION | 1:20

RAILING # R8

BEDFORD: HEAD OFFICE
15-17 Goldington Road
Bedford MK40 3NH
T: +44 (0) 1234 268862

BIRMINGHAM
Fort Dunlop, Fort Parkway
Birmingham B24 9FE
T: +44 (0) 121 6297784

ONLINE
mail@woodshardwick.com
woodshardwick.com

 Woods Hardwick
Architecture | Engineering | Planning | Surveying

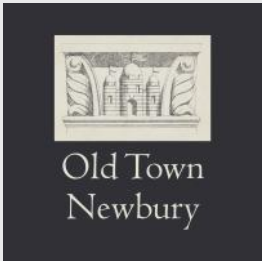


Page Deliberately Blank.

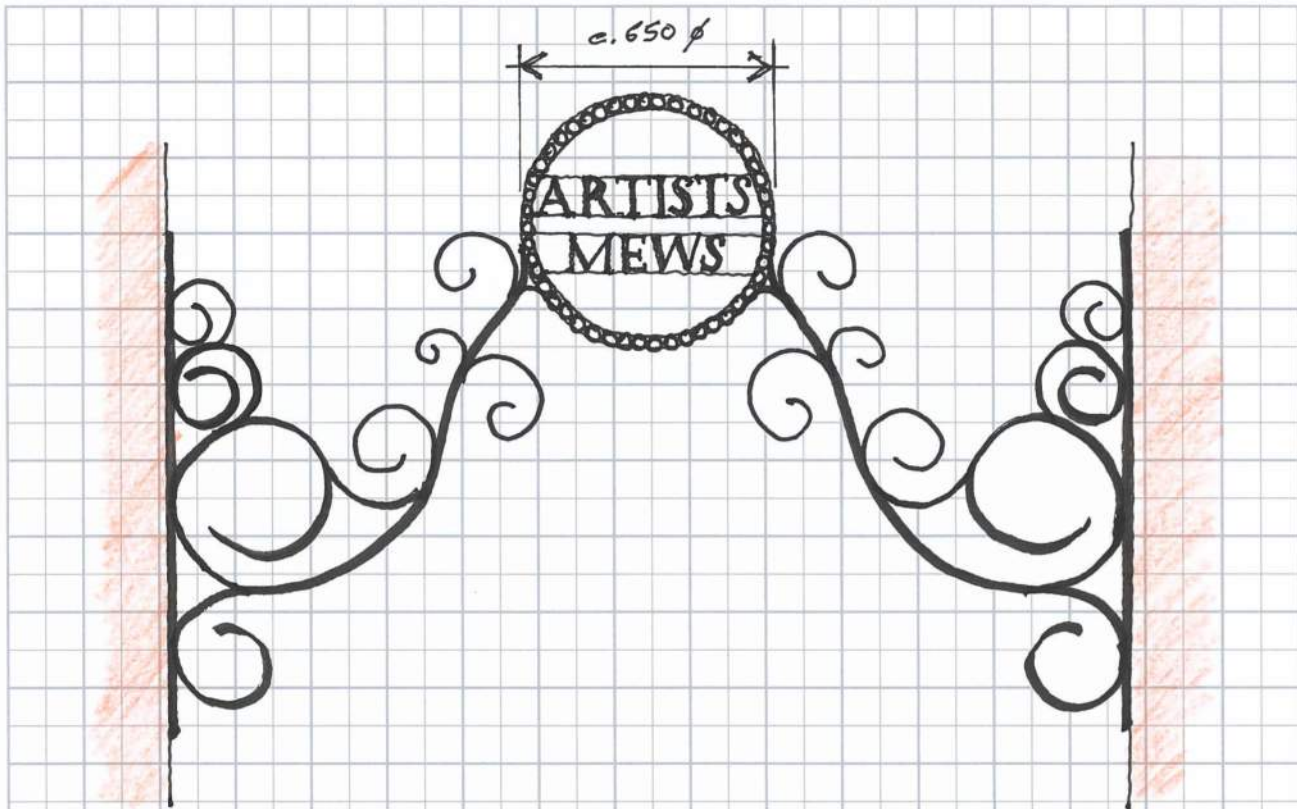
Ironwork Details

LOCHAILORT

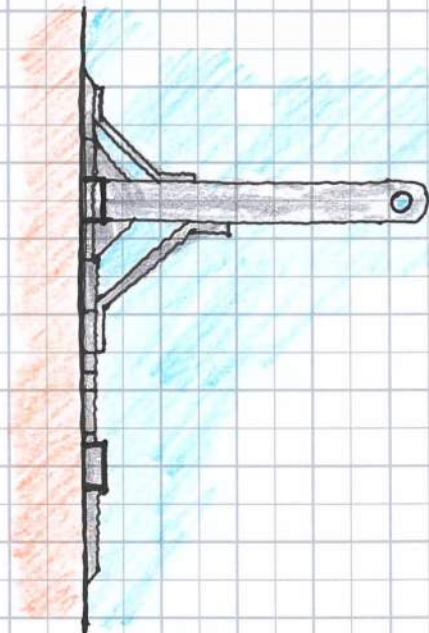
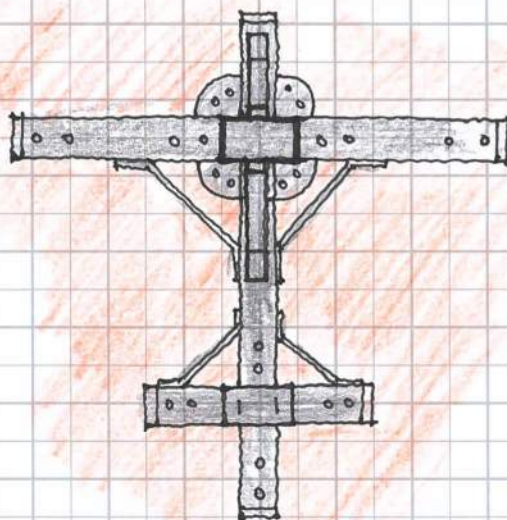
 **Woods Hardwick**
Architecture | Engineering | Planning | Surveying



PROJECT	PROJECT NO.:
DESCRIPTION	DATE:
	SHEET:
	ORIGINATOR:
	CHECKED:

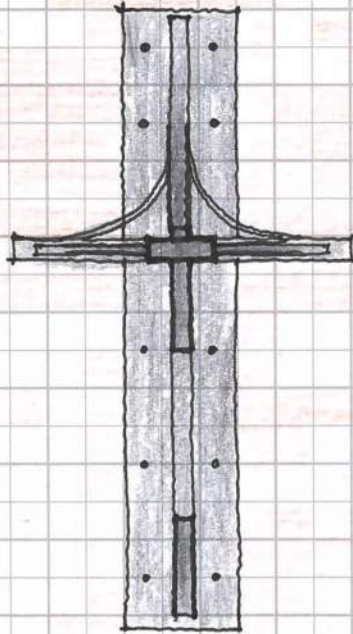


ORNAMENTAL METAL SIGN. 1:20 I1.

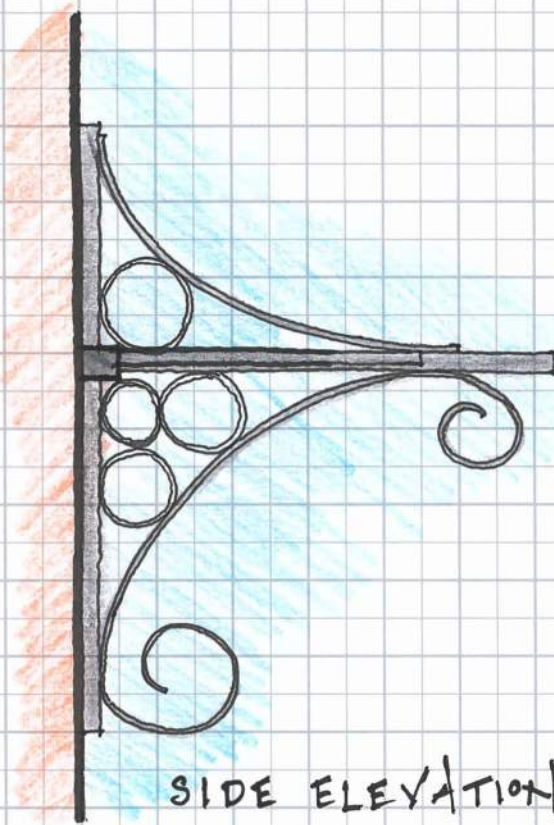


IRONWORK - PULLY/HOIST 1:10 I2

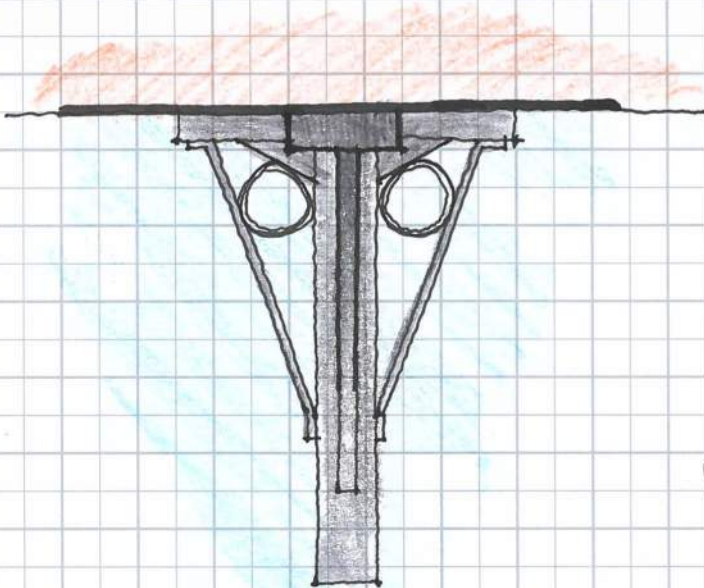
PROJECT	PROJECT NO.:
	DATE:
DESCRIPTION	SHEET:
	ORIGINATOR:
	CHECKED:



FRONT ELEVATION.



SIDE ELEVATION.

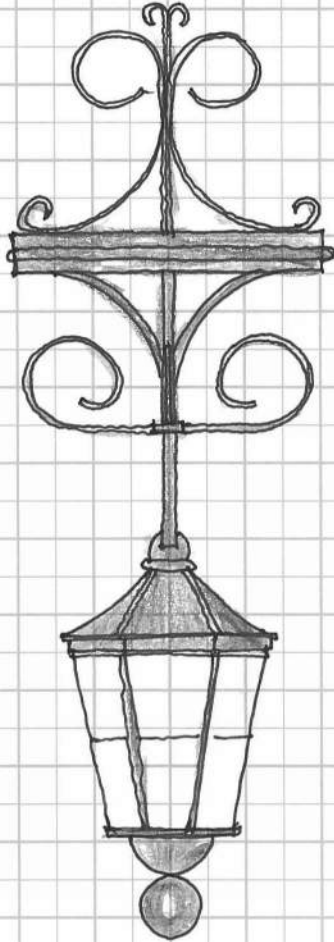


PLAN.

IRON WORK - PULLY/HOIST 1:10

I4

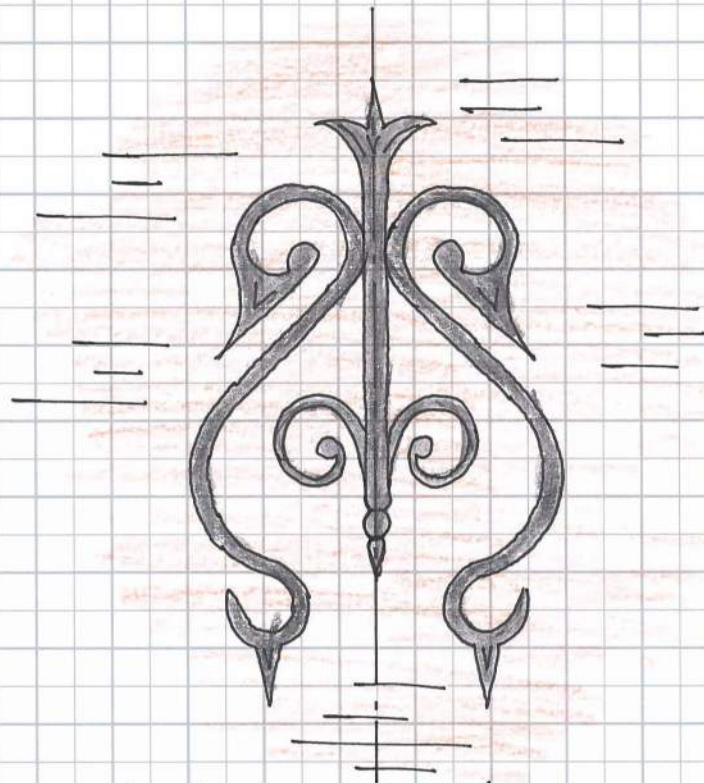
PROJECT	PROJECT NO.:
	DATE:
DESCRIPTION	SHEET:
	ORIGINATOR:
	CHECKED:



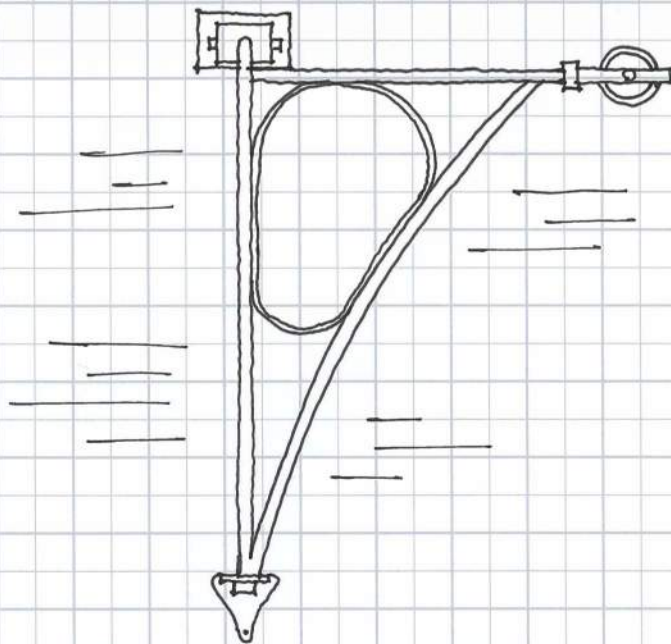
ORNAMENTAL IRON WORK + LANTERN 1:20

I6

PROJECT	PROJECT NO.:
	DATE:
DESCRIPTION	SHEET:
	ORIGINATOR:
	CHECKED:



ORNAMENTAL IRONWORK 1:20 I8



LARGE METAL PULLY/HOIST 1:20

I9



Page Deliberately Blank.



Page Deliberately Blank.

Details

LOCHAILORT



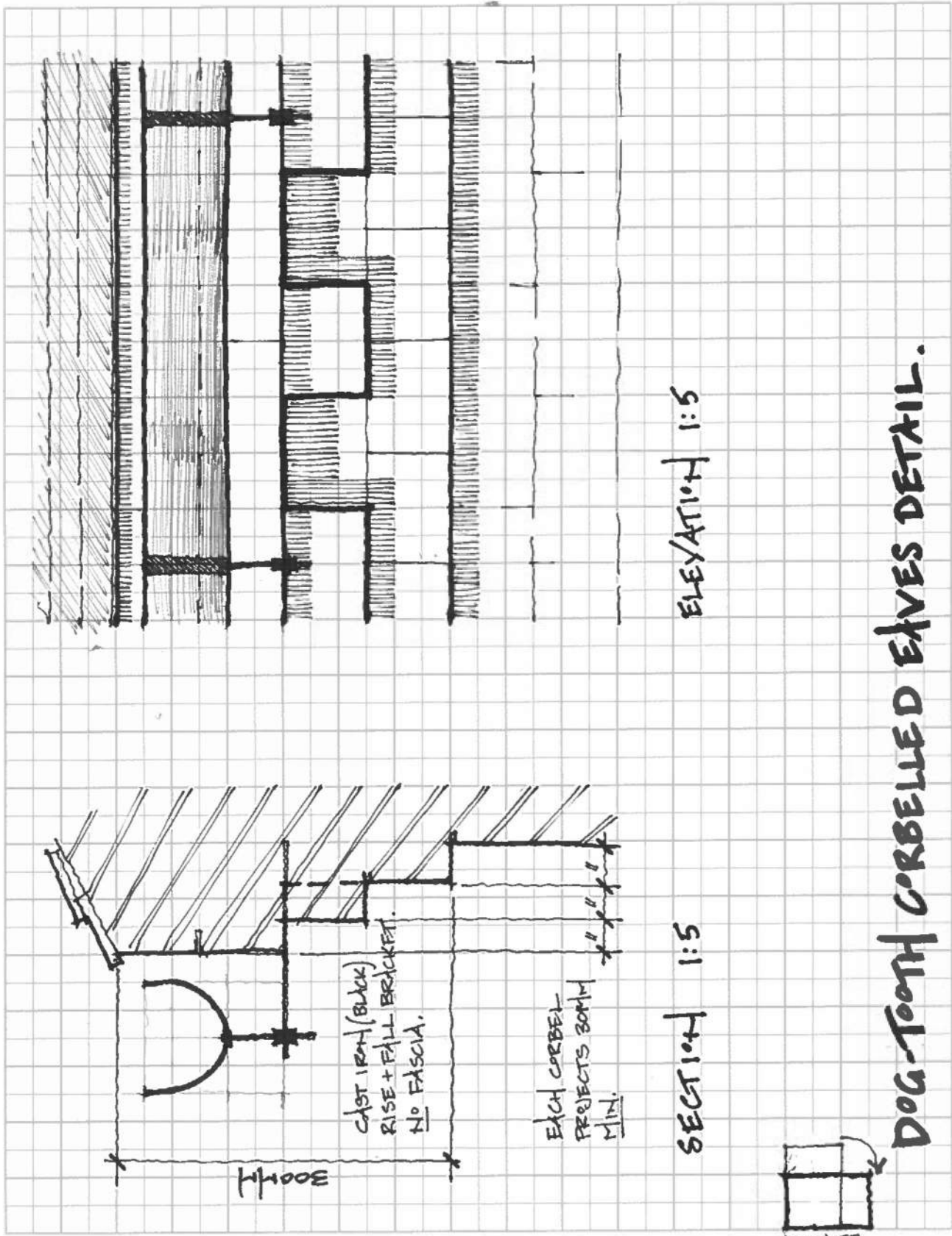
Woods Hardwick

Architecture | Engineering | Planning | Surveying



Old Town
Newbury

PROJECT	OLD TOWN: NEWBURY	PROJECT NO.:	12401
DESCRIPTION	TYPICAL DOG-TOOTH CORBELLED EAVES DETAIL.	DATE:	OCT. 2024
		SHEET:	
		ORIGINATOR:	JHL
		CHECKED:	-



DOG-TOOTH CORBELLED EAVES DETAIL.

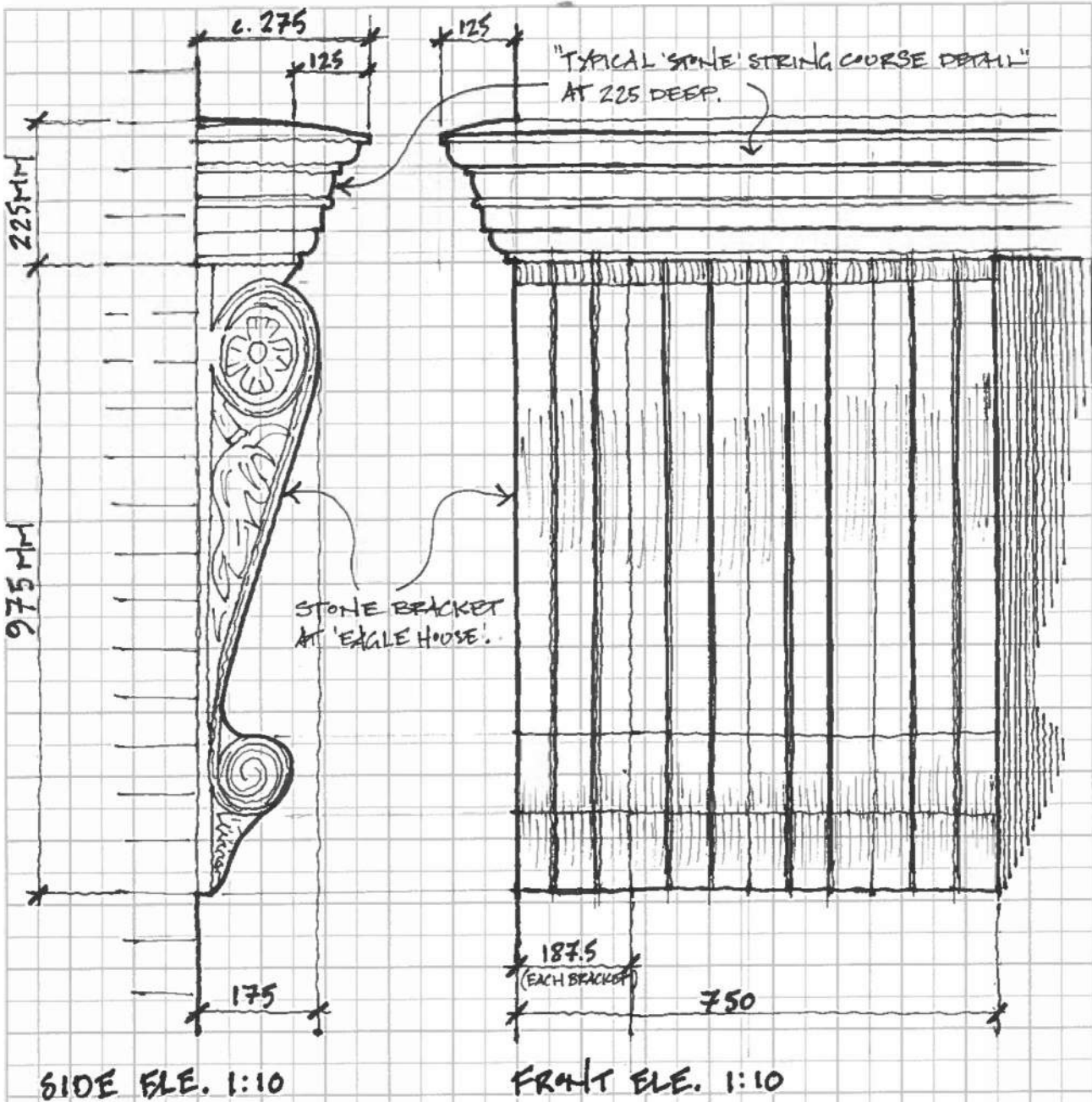
BEDFORD: HEAD OFFICE
15-17 Goldington Road
Bedford MK40 3NH
T: +44 (0) 1234 268862

BIRMINGHAM
Fort Dunlop, Fort Parkway
Birmingham B24 9FE
T: +44 (0) 121 6297784

ONLINE
mail@woodshardwick.com
woodshardwick.com

Woods Hardwick
Architecture | Engineering | Planning | Surveying

PROJECT	OLD TOWN : NEWBURY	PROJECT NO.:	19401
DESCRIPTION	STONE BRACKET AT EAGLE HOUSE.	DATE:	OCT. 2024
		SHEET:	
		ORIGINATOR:	OAL
		CHECKED:	-



STONE BRACKET AT 'EAGLE HOUSE'.

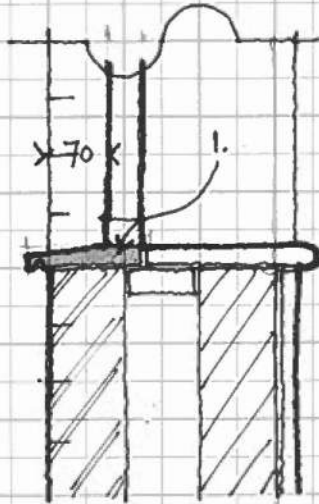
BEDFORD : HEAD OFFICE
 15-17 Goldington Road
 Bedford MK40 3NH
 T: +44 (0) 1234 268862

BIRMINGHAM
 Fort Dunlop, Fort Parkway
 Birmingham B24 9FE
 T: +44 (0) 121 6297784

ONLINE
 mail@woodshardwick.com
 woodshardwick.com

Woods Hardwick
 Architecture Engineering Planning Surveying

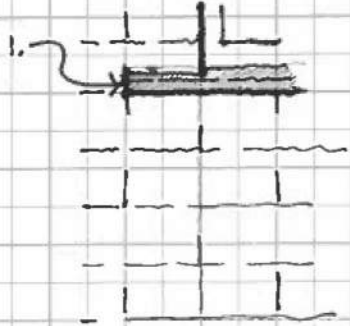
PROJECT	OLD TOWN : NEWBURY.	PROJECT NO.:	19401
DESCRIPTION	"EXTENDED" CILL WINDOW + "TIMBER REVEAL" DETAIL.	DATE:	OCT. 2024
		SHEET:	
		ORIGINATOR:	JAL
		CHECKED:	-



SECTION 1:10

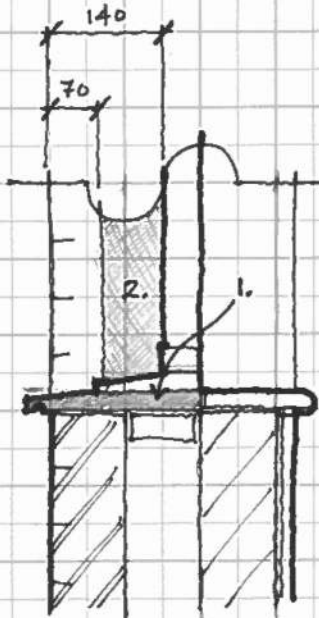
NOTES:

- "EXTENDED" CILL EXTENDS BEYOND FACE OF BRICKWORK AND WRAPS AROUND REVEAL.



ELEVATION 1:10

"EXTENDED" CILL WINDOW DETAIL.



SECTION 1:10

NOTES:

- "EXTENDED" CILL EXTENDS BEYOND FACE OF BRICKWORK AND WRAPS AROUND REVEAL.
- PAINTED TIMBER REVEAL FOR SASH WINDOWS & SOME CASEMENT WINDOWS.

"TIMBER REVEAL" WINDOW DETAIL.

EXTENDED CILL + TIMBER REVEAL DETAIL.

BEDFORD : HEAD OFFICE
15-17 Goldington Road
Bedford MK40 3NH
T: +44 (0) 1234 268862

BIRMINGHAM
Fort Dunlop, Fort Parkway
Birmingham B24 9FE
T: +44 (0) 121 6297784

ONLINE
mail@woodshardwick.com
woodshardwick.com

Woods Hardwick
Architecture Engineering Planning Surveying



Page Deliberately Blank.



Woods Hardwick

Architecture Engineering Planning Surveying

BEDFORD : HEAD OFFICE

15-17 Goldington Road
Bedford MK40 3NH
T : +44 (0) 1234 268862

BIRMINGHAM

Fort Dunlop, Fort Parkway
Birmingham B24 9FE
T : +44 (0) 0121 6297784

ONLINE

mail@woodshardwick.com
woodshardwick.com